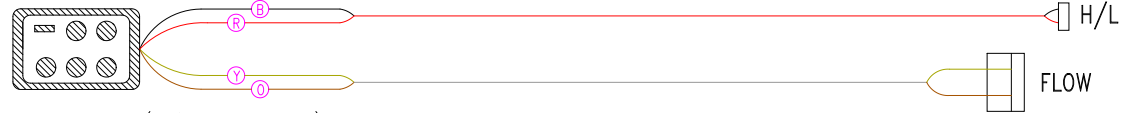
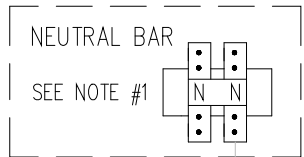
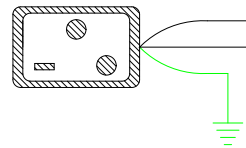


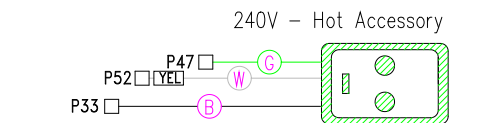
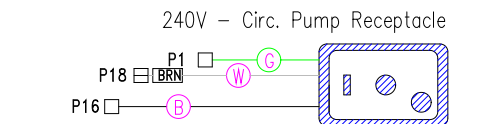
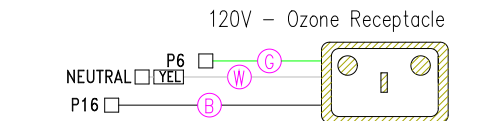
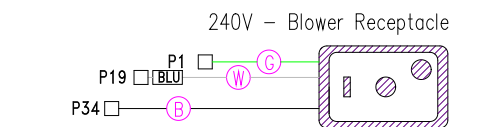
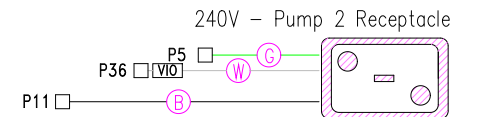
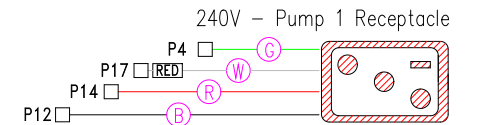
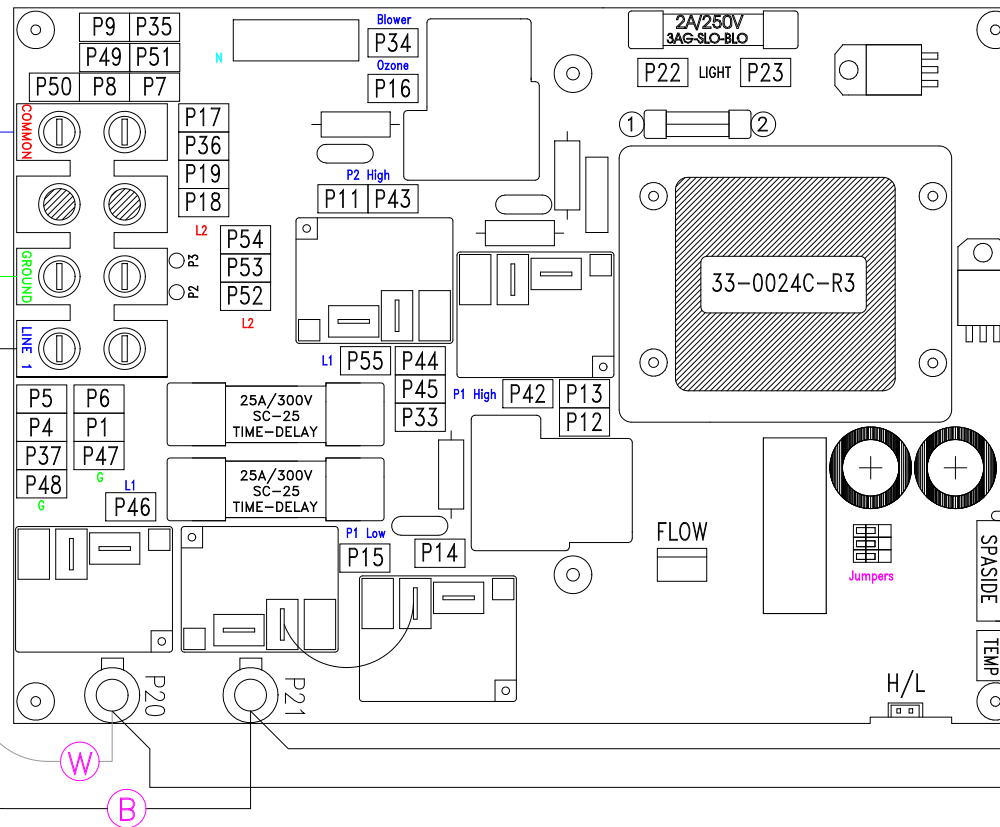
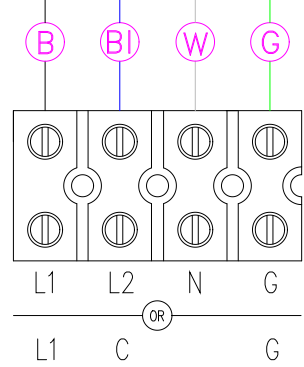
Heater 6-Pin (BLACK Receptacle)



Heater 3-Pin (BLACK Receptacle)



CUSTOMER INSTALLED JUMPER FOR 50Hz EXPORT ONLY!
 Connect to open Neutral connector Connect to open Line 2 connector



Manufacture Notes:

#1 - All components operating at 120V, connect White receptacle wire here.

#2 - A 50Hz jumper has been provided for quick conversion to 3-Wire, 240V for export models. Connecting this plug will result in the PCB Neutral becoming L2 (or Common). Hydro-Quip will not be held responsible for domestic mis-wire as a result of this connection.

Dwg. No.
M2720A0-DKQYS

Drawn
BH
Date
06.03.05

Rev
0

Diagram No.
8015

Wire Color Code

B - Black	G - Green
Br - Brown	Bl - Blue
R - Red	V - Violet
O - Orange	W - White
Y - Yellow	Gr - Gray